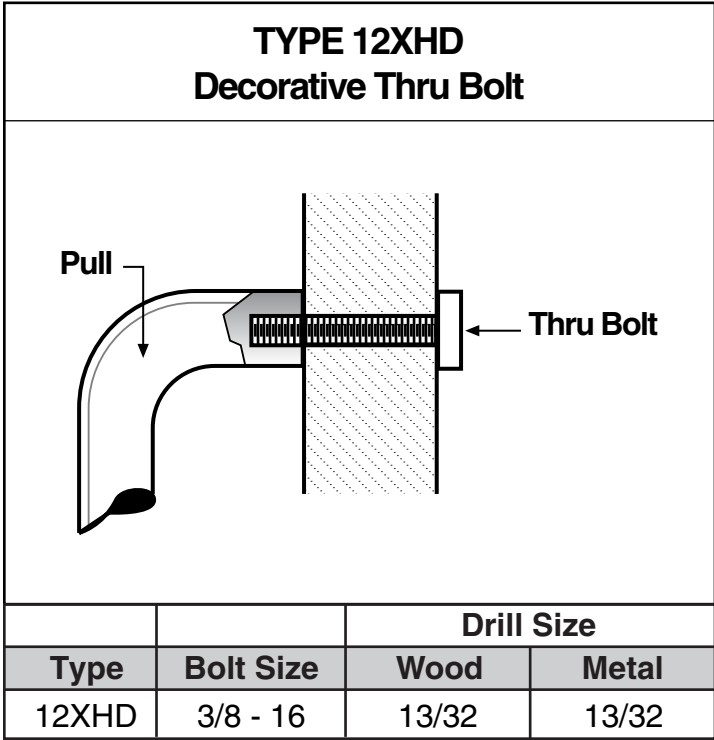


MOUNTING DETAIL



Note: Y base plates are recommended on wood or glass doors to make a stable and durable mounting.

Note: Heavy Duty (XHD) mounting features hex drive for positive tightening and large overall size for superior strength. Recommended for high frequency and rough service openings.