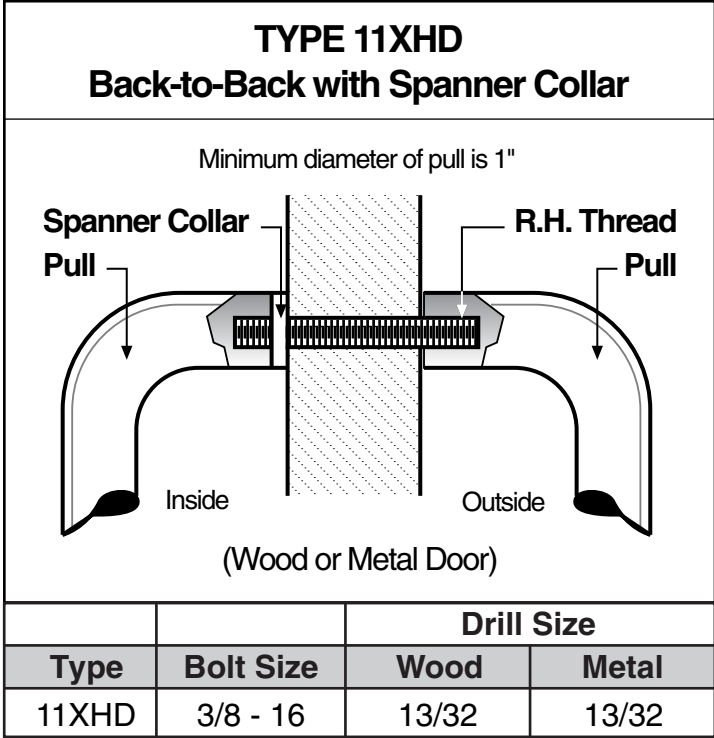


**MOUNTING DETAIL**



**Note:** Y base plates are recommended on wood or glass doors to make a stable and durable mounting.

**Note:** Heavy Duty (XHD) mounting features hex drive for positive tightening and large overall size for superior strength. Recommended for high frequency and rough service openings.