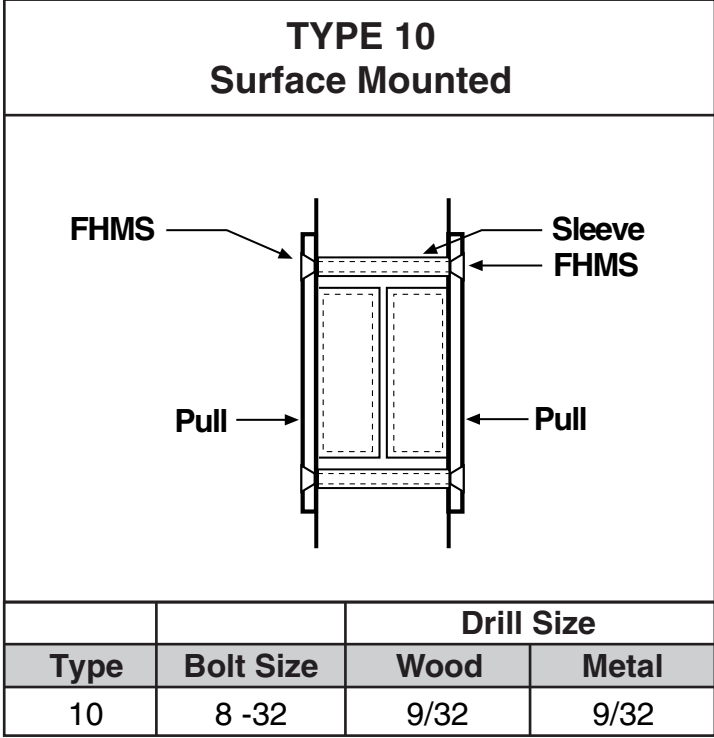


MOUNTING DETAIL



Flush Pull Mounting: Type 10 Mounting applies to the 94 Series Flush Pulls.