

Fill out this form and email to orderediting@rockwoodmfg.com or print and fax to 800-922-9212.

Customer Information

Contact Name: _____

Date: _____

Company Name: _____

Account #: _____

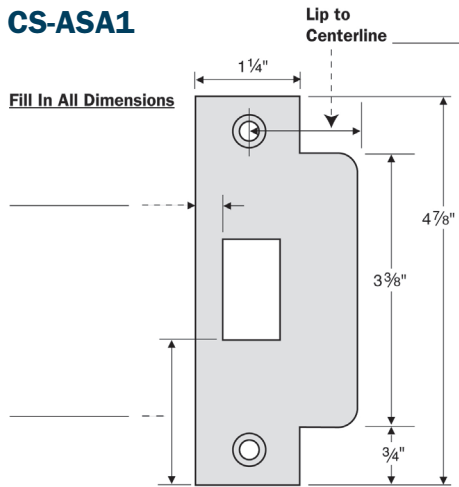
Address: _____

Phone #/Fax #: _____

City/State/Zip: _____

Email: _____

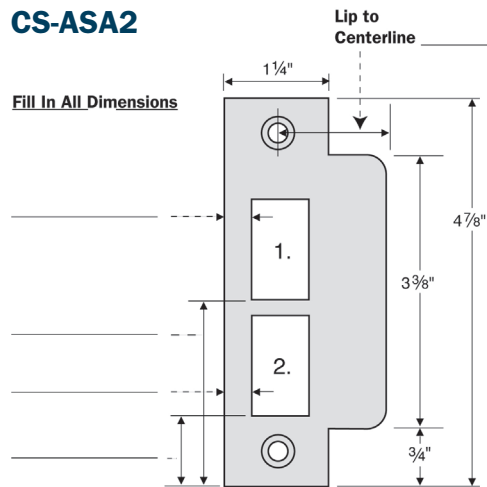
CS-ASA1



Select Bolt Hole Size

11/16" x 1 1/4" 3/4" x 1 1/4" Other: W _____ x L _____

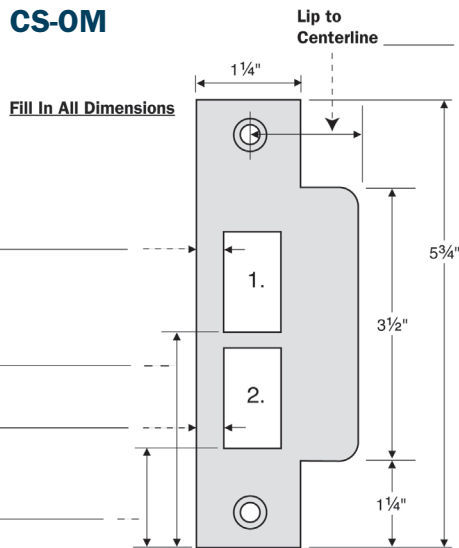
CS-ASA2



Select Bolt Hole Size

1. 11/16" x 1 1/4" 3/4" x 1 1/4" Other: W _____ x L _____
 2. 11/16" x 1 1/4" 3/4" x 1 1/4" Other: W _____ x L _____

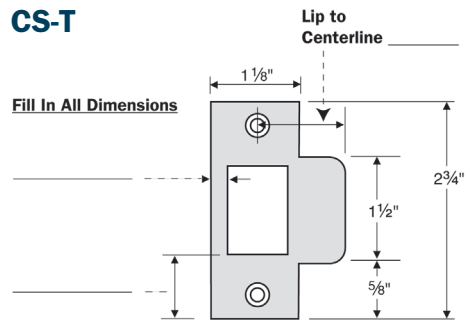
CS-OM



Select Bolt Hole Size

1. 11/16" x 1 1/4" 3/4" x 1 1/4" Other: W _____ x L _____
 2. 11/16" x 1 1/4" 3/4" x 1 1/4" Other: W _____ x L _____

CS-T



Select Bolt Hole Size

11/16" x 1 1/4" 3/4" x 1 1/4" Other: W _____ x L _____

Quantity	Part #	Flat or Curved	LH	RH	MS or WS Fastener	Finish

Options