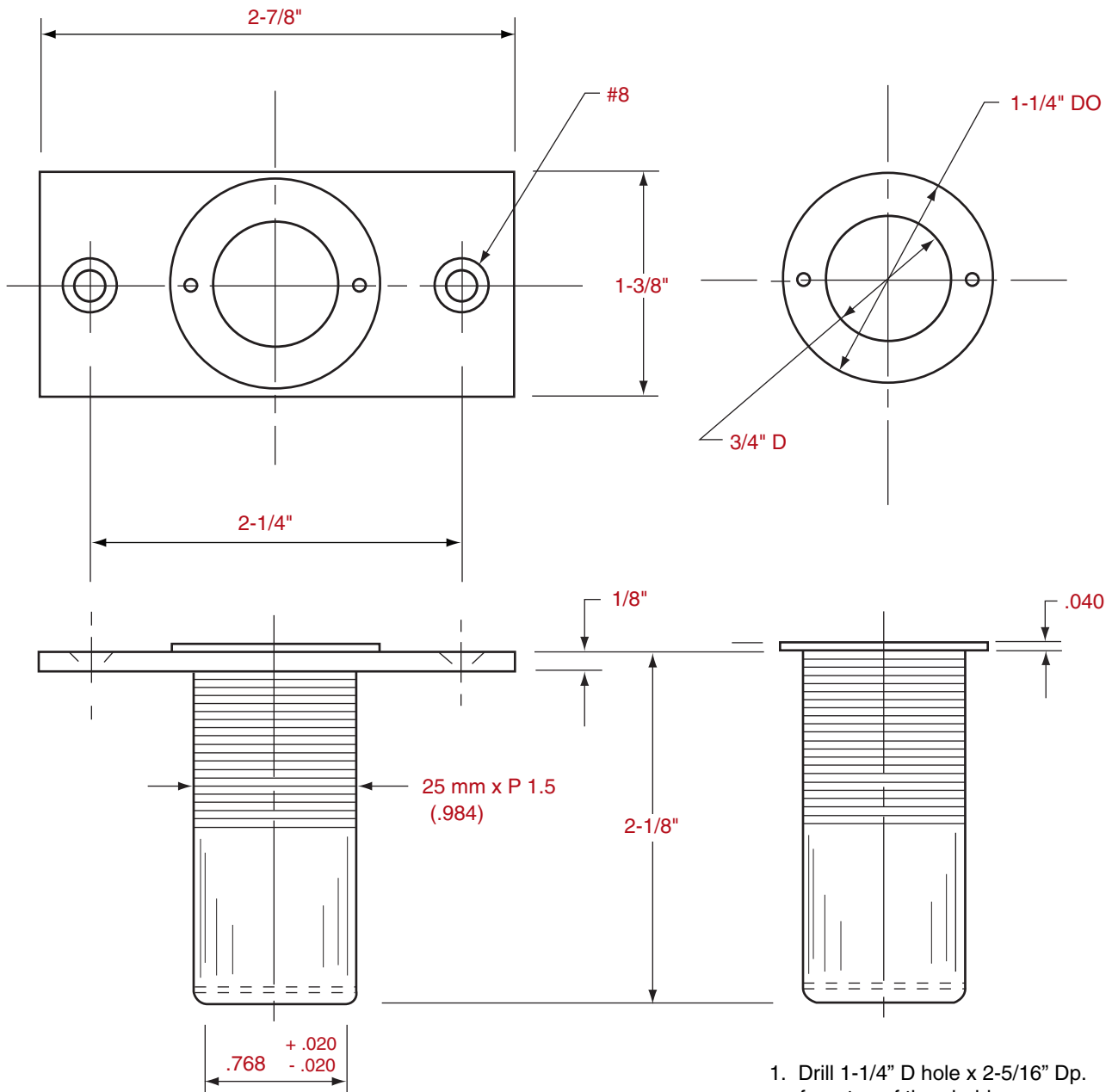


570 Dust Proof Strike



1. Mortise plate into surface.
2. Drill 1-1/4" D hole x 2-3/16" Dp.
3. Drill 2 holes for plastic anchors or lead anchors to suit conditions.
4. Place anchors into holes.
5. Grout strike into floor.
6. Insert mounting screws.

1. Drill 1-1/4" D hole x 2-5/16" Dp. from top of threshold.
2. Grout strike into floor.

Not To Scale

Template No.
T-570
Rev. 12/5/08

NOTE: Rockwood reserves the right to make product changes and is not responsible for obsolete template errors. To ensure your template is current, please visit our website at www.rockwoodmfg.com or call us at 800-458-2424.